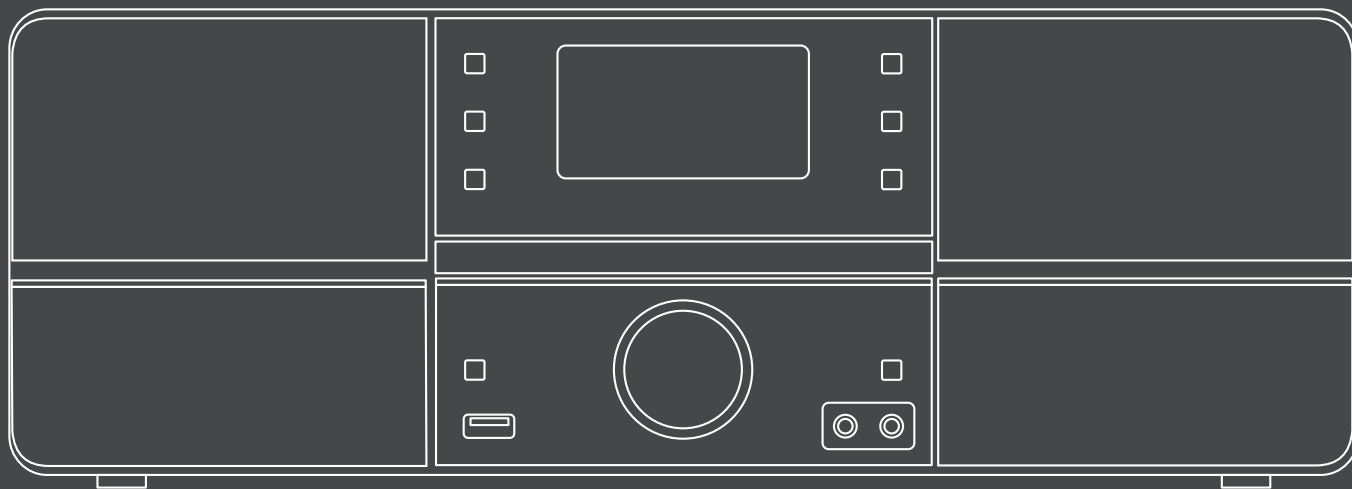


TESCO

User guide

DMS1701
DAB Music system

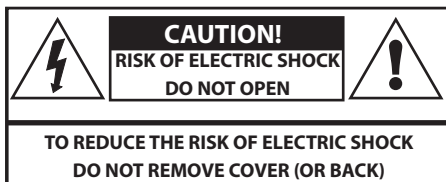




INDEX

IMPORTANT SAFETY INFORMATION	1	PLAYING A CD OR CD-ROM	9
INTRODUCTION	2	PLAYING MP3 FILES FROM A FLASH DRIVE	10
PRELIMINARIES.....	2	PROGRAM PLAY	11
CONTROLS AND CONNECTIONS	3	PLAYING <i>BLUETOOTH</i> AUDIO FROM A MOBILE DEVICE.....	12
REMOTE CONTROL.....	4	TIMER	13
GETTING STARTED	5	SLEEP TIMER	13
STANDBY CONTROL	5	PLAYING VIA AUDIO IN (AUX)	14
ADJUSTING THE VOLUME	5	EQUALISATION	14
FRONT PANEL CONTROLS.....	5	SYSTEM RESET	14
SETTING THE CLOCK.....	5	TROUBLESHOOTING.....	15
ROTARY CONTROL.....	5	CARE AND MAINTENANCE	15
MODE SELECTION	6	DECLARATION	15
PLAYING DAB RADIO	6	SPECIFICATIONS	15
SELECTING A STATION.....	6	WARRANTY.....	15
FM RADIO	6		
STATION PRESETS.....	6		
DAB & FM DISPLAY MODES	7		
DAB & FM SETTINGS MENUS	8		
DAB SCANNING	8		

IMPORTANT SAFETY INFORMATION



This symbol indicates that there are important operating and maintenance instructions in the literature accompanying this unit.



This symbol indicates that dangerous voltage constituting a risk of electric shock is present within this unit.

Read these instructions.

Keep these instructions.

Heed all warnings.

Follow all instructions.

Do not use this apparatus near water.

Clean only with a dry cloth.

Do not block any ventilation openings.

Install in accordance with the manufacturer's instructions.

Do not install or operate near any heat sources such as radiators, stoves, or other apparatus that produce heat.

Unplug this apparatus during lightning storms or when unused for long periods of time.

Refer all servicing to qualified service personnel. Servicing is required when the apparatus has been damaged in any way, such as the power-supply cord or plug is damaged, liquid has been spilled or objects have fallen into the apparatus, the

apparatus has been exposed to rain or moisture, does not operate normally, or has been dropped.

Warning: To reduce the risk of fire or electrical shock, do not expose this product to rain or moisture. The product must not be exposed to dripping and splashing and no object filled with liquids such as a vase of flowers should be placed on the product.

No naked flame sources such as candles should be placed on the product.

Caution: Changes or modifications not expressly approved by the manufacturer could void the user's authority to operate this device.

Caution: Usage of controls or adjustments or performance of procedures other than those specified herein may result in hazardous exposure.

Batteries (a battery pack or installed batteries) shall not be subject to excessive heat such as sunshine, fire or the like.



To prevent possible hearing damage, do not listen at high volumes for long periods.

WARNING: DANGER OF RADIATION



These labels tell you that the unit contains a laser component. Opening the CD compartment lid and defeating the safety interlocks will expose the user to radiation from the laser beam. Do not stare into the laser while it is operating.

IMPORTANT

This equipment generates, uses and can radiate radio frequency energy and, if not installed and used in accordance with the instructions, may cause harmful interference to radio communication. However, this is no guarantee that interference will not occur in a particular installation. If this equipment does cause harmful interference to radio or television reception, which can be determined by turning the equipment off and on, the user is encouraged to try to correct the interference by one of the following measures:

- Reorient or relocate the receiving antenna.
- Increase the separation between the equipment and receiver.
- Connect the equipment into an outlet on a circuit different from that to which the receiver is connected.
- Consult the dealer or an experienced radio/TV technician for help.

ELECTRICAL INFORMATION

Mains Supply: The mains operating voltage is marked on a rating plate on the back of the appliance.

The means of disconnecting this appliance from the mains supply is the mains plug. This should be unobstructed and readily operable at all times.

COMPLIANCE STATEMENT

Hereby, Tesco declares that the radio equipment type DMS1701 is in compliance with Directive 2014/53/EU. The full text of the EU declaration of conformity is available at the following internet address: www.tesco.com/productsupporttesco.

INTRODUCTION

The DMS1701 is a compact audio system with built-in CD player, DAB/FM radio and USB port. The system also features **Bluetooth** connectivity for mobile devices.

The remote control (supplied) conveniently controls all functions of the unit from the comfort of your chair.

PRELIMINARIES

UNPACKING

Carefully unpack the unit. If it is damaged, please return it to your nearest Tesco store for replacement. Remember to take your purchase receipt with you.

Retain the User Handbook. If you pass the unit on to a third party make sure you pass on the handbook.

We suggest you retain the packaging. If you dispose of it, do so having regard to any recycling regulations in your area.

CONTENTS

The carton should contain:

- The DMS1701 DAB/CD/USB audio system
- Remote control with battery
- Operating Manual

If any items are missing or damaged, contact your nearest TESCO store for a replacement. Have your receipt ready when you call. Retain the packaging. If you dispose of it, do so having regard to any recycling regulations in your area.

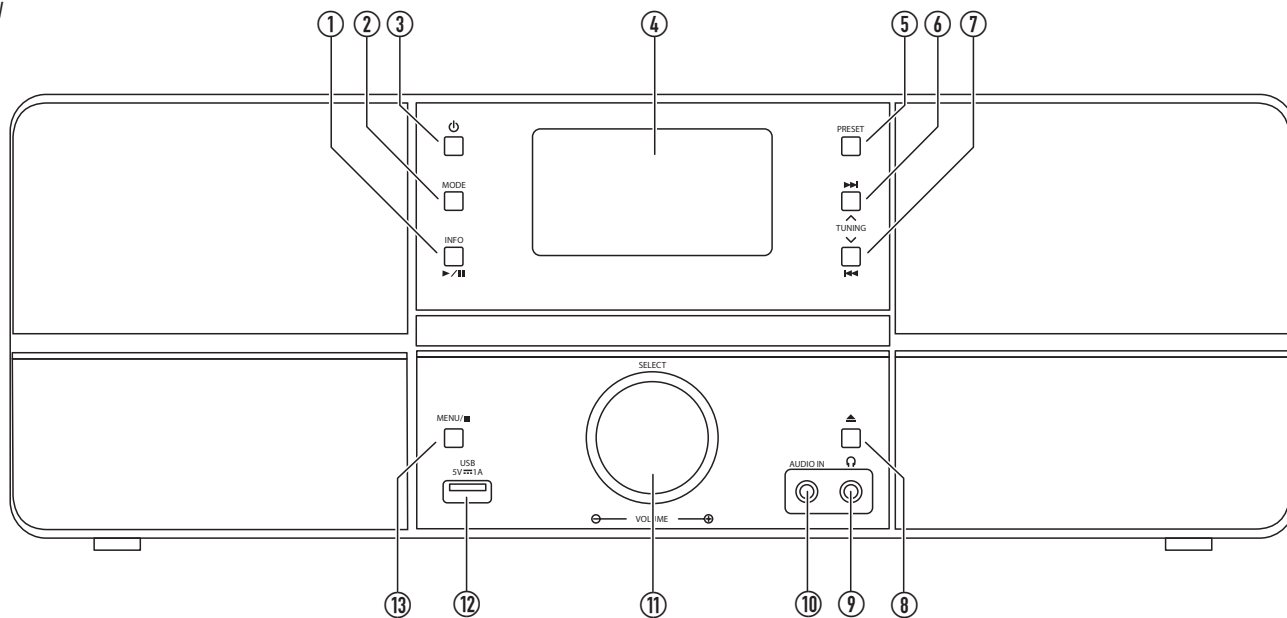
PLACEMENT

Place the unit on a sturdy table or shelf where it cannot get knocked over and where there is a clear line of sight to the remote handset.

Make sure that there is a clearance of 10cm (4 inches) around the unit for ventilation.

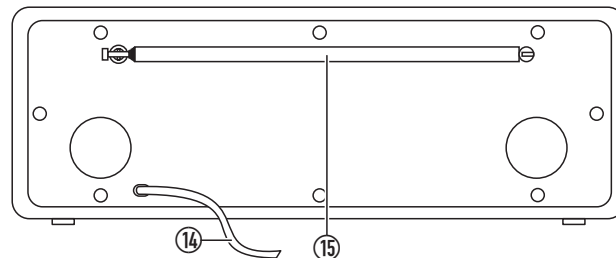
CONTROLS AND CONNECTIONS

FRONT VIEW

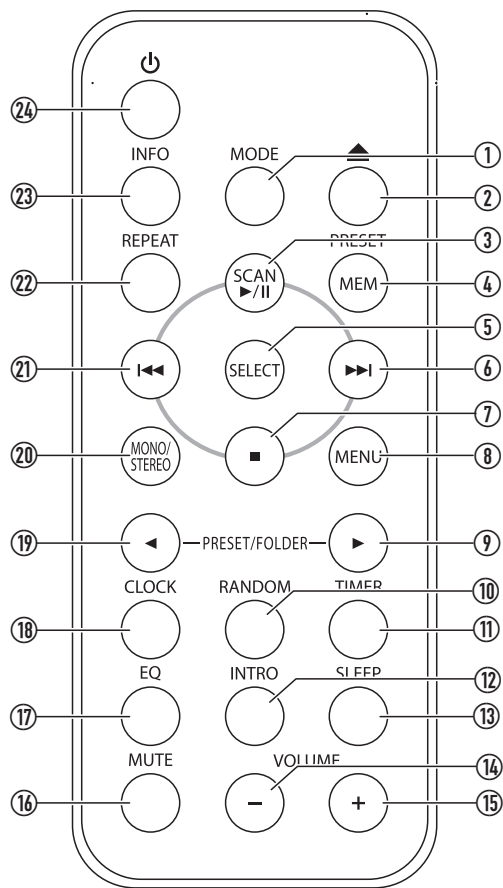


- | | |
|---------------------------|----------------------------------|
| 1. Info/Play/Pause button | 9. Headphone jack |
| 2. Mode button | 10. Audio in jack |
| 3. Standby button | 11. Rotary Volume/Tuning control |
| 4. Display | 12. USB port |
| 5. Preset button | 13. Menu button |
| 6. Up button | 14. Power cord |
| 7. Down button | 15. Aerial |
| 8. Open disc tray button | |

BACK VIEW



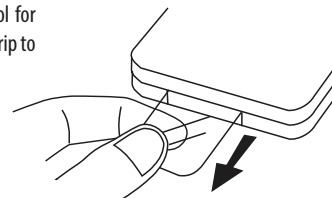
REMOTE CONTROL



1. Mode
2. Open disc tray
3. Scan/Play/Pause
4. Preset/Memory
5. Select
6. Next
7. Stop
8. Menu
9. Next preset/folder
10. Random
11. Timer
12. Intro
13. Sleep
14. Volume down
15. Volume up
16. Mute
17. Equalisation
18. Clock set
19. Preset/Folder down
20. Mono/Stereo
21. Previous
22. Repeat
23. Info
24. Standby

BEFORE FIRST USE

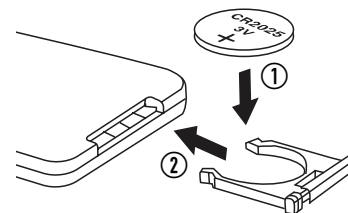
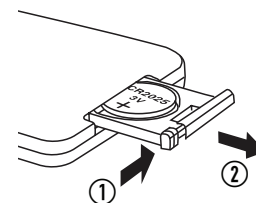
To prepare the remote control for first use, pull out the safety strip to activate the battery.



REPLACING THE BATTERY

When replacing the battery in the remote control, refer to the diagram below.

1. Press the catch across.
2. While holding the catch, open the battery door.
3. Fit the battery observing polarity as shown. When replacing the battery, use only the same CR2025 type specified.



Dispose of used batteries with regard to the recycling regulations in your area. Do NOT short circuit batteries or throw them into water, the general rubbish or in a fire.

Weak batteries can leak and damage the remote control. Replace them in good time!

GETTING STARTED

DAB/FM RADIO AERIAL

Before using your unit for radio reception, fully extend the telescopic aerial at the back of the unit. Once extended, the aerial may be rotated for the best signal.

CONNECTING POWER

Before connecting the power, check that the mains voltage on the rating plate on the back panel is the same as the voltage in your area.

- Plug the mains plug into the wall socket and switch the mains power on.

When power is connected to the unit, the display will light.

STANDBY CONTROL

To turn the system on

- Press the **STANDBY**  button.

The display will brighten and the system will switch on, set to play the last function used. If this was radio, the last station played will be selected.

To turn the system off

- Press the **STANDBY**  button.

The unit will set to Standby then after a short delay the display light will dim.

NOTE: The Standby button is recommended for day to day operation. If the unit is to be left unattended for a long period (for example, holidays), disconnect the unit from the mains supply.

Auto Standby

The unit will set to Standby automatically if standing idle for 15 minutes. This is an energy saving feature.

FRONT PANEL CONTROLS

The instructions in this handbook always refer to remote control button functions.

In addition, some controls are duplicated on the front panel for convenient operation when close to the unit. With the exception of the rotary control, these controls have the same function names as those on the remote control. Where the rotary control has additional functions this will be indicated in the text of the handbook.

SETTING THE CLOCK

Automatic clock setting

The clock time will set automatically when a DAB station is first tuned. The clock can also be set manually if there is no DAB signal available.

Manual clock setting

- Set the unit to Standby.
- Press **CLOCK**.

The hour digits will flash.

- Press **▶▶** or **◀◀** to set the hour digits.
- Press **CLOCK** to confirm.

The minutes digits will flash.

- Press **▶▶** or **◀◀** to set the minutes digits.
- Press **CLOCK** to confirm.

The clock is now set.

ADJUSTING THE VOLUME

To increase the volume

- Press the **VOLUME+** button.

To decrease the volume

- Press the **VOLUME-** button.

Mute

- Press **MUTE** to mute the sound.

The sound will be muted.

- Press **MUTE** again to restore the previous volume setting.

VOLUME CONTROL DISPLAY

The volume level is displayed when the volume is adjusted on a scale MIN to MAX.

ROTARY CONTROL

To increase the volume from the front panel

- Turn the **VOLUME** control knob clockwise.

To decrease the volume from the front panel

- Turn the **VOLUME** control knob anti-clockwise.

NOTE: The rotary control also has a push function.

- Push the rotary control to switch between volume and station tuning modes.



MODE SELECTION

- Press the **MODE** button repeatedly to step through the available modes of DAB Radio, FM Radio, CD, USB, AUX and **Bluetooth** audio.

The mode will change.

PLAYING DAB RADIO

To select DAB radio operation

- Check that the aerial is extended.
- Press the **MODE** button repeatedly to select DAB Radio mode.

When DAB radio is used for the first time

The system scans all usable stations (full scan) and stores them alphanumerically -1 Radio, 2 Radio, AA Radio, AB Radio... The initial scan will take a few minutes and a progress bar will be displayed with the number of services found.

After the scan, the clock will be set, and the system will begin playing.

Note: If no stations are found after the scan, it may be that the signal in your current location is too weak. If this happens, switch the system off and move it to a location with a stronger signal. Repeat the scan process in the new location.

The stations found will be stored in an alphanumeric list.

SELECTING A STATION

To select another station

- Press the **▶▶** or **◀◀** button to browse the list of stations on the display.
- When you find the station name you want to listen to, press **SELECT**.

After a short delay, the radio will re-tune to the station displayed.

NOTE: When listening to DAB radio, pressing the front panel rotary control will switch the control function between station selection and volume control.

FM RADIO

- Check that the aerial is extended.
- Press the **MODE** button repeatedly to select FM Radio mode.

To auto-tune to FM stations

- Press the **SCAN** button to tune up the band to the next station.
- Press and **hold** the **SCAN** button to tune down the band to the next station.

Tuning will stop automatically when the station is reached.

Mono/Stereo

The radio will automatically receive FM radio broadcasts in stereo (when available). Alternatively, you can manually set the radio to receive only in mono. This may be preferred if the signal strength is low, and the background noise level is high.

- To switch between stereo and mono reception, press the **MONO/STEREO** button repeatedly.

To manually tune to FM stations

- Press the **▶▶** or **◀◀** button repeatedly (or turn the rotary control) to tune up or down the band in 50kHz steps.

STATION PRESETS

DAB and FM presets

Your radio can store up to 30 of your favourite stations as presets on both the DAB and FM bands for quick recall.

To store a preset

- Tune to the station you want to store as a preset.
- Press and **hold** the **PRESET** button until the preset store display shows with the preset number flashing.
- Press the **PRESET/FOLDER ▶** or **◀** button repeatedly (or turn the rotary control) until the preset location you want to store is displayed.
- Press the **SELECT** button (or press the rotary control) to store the station in this preset number location.

The display will confirm that the station has been stored in this preset number.

To recall a preset

- Press the **PRESET** button.
- Press the **PRESET/FOLDER** up or down button repeatedly (or turn the rotary control) until the preset you want to play is displayed.
- Press the **SELECT** button (or press the rotary control) to recall the station in this preset number location.

After a short delay the radio will re-tune to the selected preset.



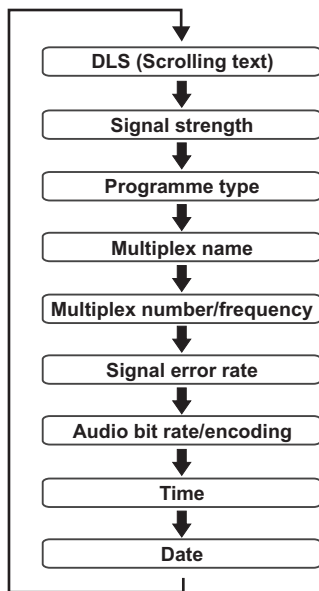
DAB & FM DISPLAY MODES

DAB DISPLAY MODES

When playing a DAB station you can change the information on the display by changing the display mode.

To change the display mode

- Press the **INFO** button repeatedly to step through the options listed in the chart below.



DLS (Dynamic Label Segment): This is a scrolling message giving real-time information - song titles, news headlines, etc.

SIGNAL STRENGTH: This setting will display a signal strength bargraph. The longer the bargraph, the stronger the signal. Setting the display to show signal strength is useful when setting up the aerial for the strongest signal.

PROGRAMME TYPE: This describes the style of the programme being broadcast.

MULTIPLEX NAME: DAB Digital radio stations are broadcast in multiplexes. Each multiplex is a bundle of radio stations transmitted in a single frequency. There are national and local multiplexes; local ones contain stations specific to your area. This option displays the name of the multiplex name that contains the station you are listening to.

MULTIPLEX NUMBER/FREQ: This option will display the multiplex number and frequency that contains the station you are listening to.

SIGNAL ERROR RATE: This option will display the level of signal errors in the current broadcast. The lower the number, the better the quality of the signal.

BIT RATE: DAB allows broadcasters to vary the BIT RATE (or the amount by which an audio signal can be compressed) depending on the type of broadcast. This enables the amount of stations on a multiplex to be maximised. Speech and News are often broadcast at a lower Bit Rate; music needs a higher Bit Rate for good fidelity.

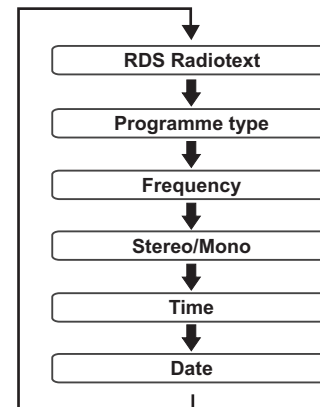
TIME AND DATE: Time and date are updated by broadcasted information.

FM DISPLAY MODES

When playing an FM station you can change the information on the display by changing the display mode.

To change the display mode

- Press the **INFO** button repeatedly to step through the options listed in the chart below.



The full range of display options are shown. Some stations may not broadcast all of these options.

DAB & FM SETTINGS MENUS

DAB SETTINGS

To display the DAB Settings Menu

- Set to DAB mode.
- Press **MENU**.

The menu will be displayed at the first option (Full Scan).

- Press **▶▶** or **◀◀** or turn the rotary control to highlight each available option in turn.
- To choose the highlighted option from the menu, press the **SELECT** button or press the rotary control.
- To leave a menu option without making any changes, press **MENU**.

Full Scan: Select Full Scan to re-scan the entire DAB band and refresh the station list.

Manual Tune: Manual tuning enables you to search the band manually by pressing **▶▶** or **◀◀** to step through the multiplex numbers and check if any have usable signal strength on a bargraph display. Manual tuning is not necessary in normal operation where scanning will have established a station list of usable stations.

DRC: DRC is Dynamic Range Compression. Enabling DRC high or low options may improve the sound of DAB radio when listening in a noisy room.

Prune: If your station list includes stations that you can no longer receive (you may have moved to a different area), you can select the 'Prune' option to remove them and clean up the Station List.

Software Version: This option will display the version number of the control software currently installed in your radio.

FM SETTINGS

To display the FM Settings Menu

- Set to FM mode.
- Press **MENU**.

The menu will be displayed at the first option (Scan setting).

- Press **▶▶** or **◀◀** or turn the rotary control to highlight each available option in turn.
- To choose the highlighted option from the menu, press the **SELECT** button or press the rotary control.
- To leave a menu option without making any changes, press **MENU**.

Scan Setting: With this menu option you can set the scanning sensitivity of the FM radio to two different levels- 'Strong stations' or 'All stations'. Setting to 'Strong stations' will exclude weaker stations resulting in a quicker scan. If you set to 'All stations' the scan will stop at every station detected, even if the signal is weak.

Audio Setting: This option enables you to set the radio to 'Forced Mono' or 'Stereo Allowed'. Setting Forced Mono may be useful if the signal is weak and the broadcast is noisy when listening in stereo via headphones.

Software Version: This option will display the version number of the control software currently installed in your radio.

DAB SCANNING

DAB SCANNING

When first used, your audio system scanned the DAB band for available stations. The station services found were then stored in your system's memory.

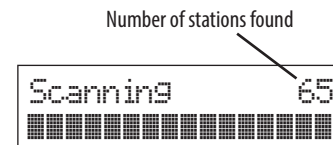
You can re-scan the band at any time if you move to a different area or just to refresh the stored list of available stations.

To start a scan from the remote control

- Select the DAB band.
- Press the **SCAN** button to start the scan.

The unit will now display the legend 'Scanning' and a bargraph to show scan progress.

The number of services found during the scan will be shown at the right side of the display.



PLAYING A CD OR CD-ROM

You can load and play audio CDs or CD-ROMs containing compilations of MP3 tracks. MP3 tracks may be saved in the 'root' directory of a CD-ROM or organised into folders.

- Press the **MODE** button repeatedly to select CD mode.

Loading a disc

- Open the CD loading tray by pressing **▲**.

The tray will open.

- Holding the disc by the edges, place the disc on the tray with the label facing up.
- Close the CD tray by pressing **▲**.

After a few seconds the disc will read and the disc data will be displayed. The CD will start playing automatically.

Unloading a disc

- If the disc is playing, press **■** and wait a few seconds for the disc to stop.
- Open the CD loading tray by pressing **▲**.

The tray will open.

- Lift the disc off the tray and place it back in its case.
- Close the CD tray by pressing **▲**.

Play/Pause

- Press the **▶/||** button to pause CD play. Press again to resume play.

When play is paused the time display will flash.

Selecting tracks

- Press the **▶▶** or **◀◀** button **briefly** to select the next or previous track from the disc.

NOTE: The first press of the **◀◀** button will replay the current track.

Fast search

- To fast search through a track, press and **hold** the **▶▶** or **◀◀** button.

The player will fast search through the track at high speed in the chosen direction until the button is released.

Changing folder (MP3 only)

- Press **PRESET/FOLDER ▶** or **◀** to change to the next or previous folder on an MP3 compilation.

Once you have selected the folder you want, you can select tracks in the normal way.

REPEAT

You can repeat a single track or the whole disc.

To set a repeat mode

- Press the **REPEAT** button on the remote control to step through the options of REP_ONE (repeat current track), REP_ALBUM (repeat album)* and REP_ALL (repeat all tracks).
- Press **REPEAT** again to cancel repeat mode.

* MP3 CD-ROM only.

RANDOM

You can play the tracks on a disc in a random sequence.

To set random mode

- Press the **RANDOM** to set random mode.

RANDOM will be displayed.

INTRO

You can play the first 10 seconds of each track on a disc to find a track you like.

- Press **INTRO**.

The first 10 seconds of each track will play.

- When you hear a track you want to play, press **INTRO** again to return to normal play.

PLAYING MP3 FILES FROM A FLASH DRIVE

You can dock a USB flash drive containing compilations of MP3 tracks into the front panel USB port. MP3 tracks may be saved in the 'root' directory of the drive or organised into folders.

- Press the **MODE** button repeatedly to select USB mode.

Docking the drive

- Insert the USB flash drive into the front panel port.

NOTE: The port is polarised so ensure that the drive is correctly aligned to match the port. Never force a USB drive into the port.

After a few seconds the drive will be read and music file content will be displayed. The files will start playing automatically.

Removing the drive

- The drive can be removed when you have finished playing the files.

Play/Pause

- Press the ►/|| button to pause play. Press again to resume play.

When play is paused the time display will flash.

Selecting tracks

- Press the ►► or ◀◀ button **briefly** to select the next or previous track.

NOTE: The first press of the ◀◀ button will replay the current track.

Fast search

- To fast search through a track, press and **hold** the ►► or ◀◀ button.

The player will fast search through the track at high speed in the chosen direction until the button is released.

Changing folder

- Press **PRESET/FOLDER** ► or ◀ to change to the next or previous folder.

Once you have selected the folder you want, you can select tracks in the normal way.

REPEAT

You can repeat a single track, an album or the whole compilation.

To set a repeat mode

- Press the **REPEAT** button on the remote control to step through the options of REP_ONE (repeat current track), REP_ALBUM (repeat album) and REP_ALL (repeat all tracks).
- Press **REPEAT** again to cancel repeat mode.

RANDOM

You can play the tracks in a compilation in a random sequence.

To set random mode

- Press the **RANDOM** to set random mode.

RANDOM will be displayed.

INTRO

You can play the first 10 seconds of each track in the compilation to find a track you like.

- Press **INTRO**.

The first 10 seconds of each track will play.

- When you hear a track you want to play, press **INTRO** again to return to normal play.

PROGRAM PLAY

PROGRAMMING

When playing a CD, you can store a random sequence of up to 32 tracks to play in your preferred order.

For an MP3 compilation stored on a CD-ROM or USB flash drive, you can store up to 64 tracks.

STORING A PROGRAM FROM A CD AUDIO DISC

To store a program

- Load the CD that you want to play.
- Press **■** to stop the music playing.
- Press **PRESET/MEM**.

The Program Entry display will appear, prompting for the first track number to program (MEMORY P-01).

T-01 will flash, indicating the track number to be programmed.

- Press **▶▶** or **◀◀** to select the track number for the first track you want to program.
- Press **PRESET/MEM** to store this track into the program memory.

The track will be stored and the program counter will increase to MEMORY P-02.

- Repeat the above two steps to store the next and subsequent tracks in your program sequence.

STORING A PROGRAM FROM AN MP3 COMPILATION

The compilation may be stored on a CD-ROM or a USB flash drive.

To store a program

- Load the CD, CD-ROM or Flash Drive that you want to play.
- Press **■** to stop the music playing.
- Press **PRESET/MEM**.

The Program Entry display will appear, prompting for the first track number to program (MEMORY P-01).

F-001 will flash, indicating the folder number for the first track to be programmed.

- Press **PRESET/FOLDER ▶** or **◀** to select a folder.
- Press **PRESET/MEM** to confirm.

T-01 will now flash, prompting for a track number within that folder.

- Press **▶▶** or **◀◀** to select a track within the folder.
- Press **PRESET/MEM** to confirm.

Continue with this sequence to enter each folder, then track until all tracks have been entered.

PLAYING THE PROGRAM

- When you have finished entering all tracks in your program, press the **▶||** button to start the program playing.

Navigating the programmed tracks

When the program is playing, the play and pause functions work as normal and you can skip between tracks in the program by pressing the **}** or **{** button. Repeat functions may also be set.

CLEARING A PROGRAM

To clear a program

- Open the CD tray.
- or
- Press the **■** button to stop playback (if necessary).
 - Press the **■** button once more.

The program will be cleared from memory.

PLAYING BLUETOOTH AUDIO FROM A MOBILE DEVICE

Your music system can play **Bluetooth** audio from a mobile phone, tablet or laptop computer.

The **Bluetooth** source must be paired to your music system.

Pairing with a **Bluetooth** device

- Press the **MODE** button repeatedly to select **Bluetooth** mode.

'BT LINK' will flash on the display.

- Activate **Bluetooth** on the mobile device source.
*If the source is a phone or tablet, **Bluetooth** will normally be activated in the connectivity section of the settings menu.*

*If the source is a computer, **Bluetooth** settings should be found in the Control Panel.*

- In the **Bluetooth** menu of the source, there should be an option to search for **Bluetooth** devices. Select this option.

*The source will now scan for other **Bluetooth** devices and should find the music system, identified as 'DMS1701'.*

- Choose to pair with this.

*If the device features **Bluetooth** technology earlier than V2.1, you will be asked for a password.*

- If so, enter 0000.

*Your **Bluetooth** source will now be connected to the music system. Once connection has been established, the 'BT LINK' display will stop flashing.*

*After pairing for the first time, the music system will appear in the connection menu of your **Bluetooth** device.*

Re-connecting

Your device should re-connect automatically when next used if no other device has been connected since.

Playing music

Once connected you can select music on the source and play it through your music system.

Volume control

When playing **Bluetooth** audio it is possible that the volume control of the source will also affect the volume level from your music system.

Ensure that the volume control of the source is set at a high enough level.

Playback control

Some mobile devices will support remote control for music navigation. In this case ►/|| on your music system can be used to select play/pause at the source, and ►► and ◀◀ will select the next or previous track.

Disconnecting a device

You can disconnect a device if required. This may be necessary if you want to pair your system to a different **Bluetooth** device.

- Press and hold the **MENU** button.

The device will be disconnected and your system will be available to pair with another device.



TIMER

ON/OFF TIMER

Your music system includes a timer that will switch the system on and off at preset times.

Setting the switch on time

- Press and **hold** **TIMER**.

'On Timer' will be displayed and the hour digits will flash.

- Press **▶▶** or **◀◀** to set the hour for the switch on time.
- Press **TIMER** to confirm.

The minutes digits will flash.

- Press **▶▶** or **◀◀** to set the minutes for the switch on time.
- Press **TIMER** to confirm.

'Off timer' will be displayed and the hours digits will flash.

- Press **▶▶** or **◀◀** to set the hour for the switch off time.
- Press **TIMER** to confirm.

The minutes digits will flash.

- Press **▶▶** or **◀◀** to set the minutes for the switch off time.
- Press **TIMER** to confirm.

You can now select the source you want to play during timer operation.


- Press **▶▶** or **◀◀** to choose from DAB, FM, DISC or USB.
- Press **TIMER** to confirm.

'VOLUME' will be displayed.

- Press **▶▶** or **◀◀** to set a volume level for timer operation..
- Press **TIMER** to confirm.

The timer is now set.

Activating the timer

- Press **TIMER** **briefly** to switch the timer on or off.
- Timer On or Timer Off will be displayed.
- When the timer is set, the  icon will be displayed.

SLEEP TIMER

You can select Sleep mode to play music for a period of time while you are going to sleep.

Setting sleep mode

- Press **SLEEP** repeatedly to display a sleep time in the range 90 - 10 minutes.
- Press **SELECT** to confirm a sleep time.

The radio will play until sleep time expires, then automatically set to Standby.

Cancelling sleep mode

- Press **SLEEP** repeatedly until 'OFF' is displayed.
- Press **SELECT** to confirm a sleep time.

Sleep time setting will be cancelled.



PLAYING VIA AUDIO IN (AUX)

You can play a personal audio player or a computer through your audio system by connecting it to the AUDIO IN jack on the front panel.

To connect an AUX source

- Connect the source to the AUDIO IN jack with a 3.5mm jack cable (not supplied).

To select AUX operation

- Press the **MODE** button repeatedly to select AUX mode.

To play the AUX source

- Set the AUX source to play.
- Adjust the volume.

If the volume level is too low, try increasing the volume level on the source volume control.

Auto Standby in AUX mode

When playing in AUX mode the Auto Standby time is extended to 4 hours.

After this time 'AUTO-OFF' will flash on the display, then Standby will set.

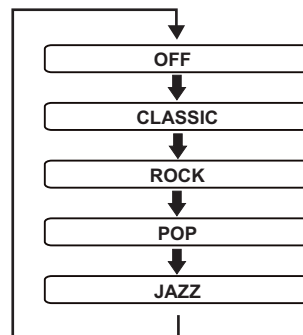
- To cancel auto Standby when 'AUTO-OFF' is displayed, press **INTRO**.

EQUALISATION

You can change the equalisation of the sound to suit your taste.

To select an EQ response

- Press the **EQ** button repeatedly to step through the EQ options shown below.



As each setting is selected the sound EQ will change.

SYSTEM RESET

DAB is a terrestrial system and frequencies in different areas vary. If you move the system to another part of the country performing a Full Scan may not be enough to re program the radio. You may therefore need to reset the radio.

NOTE: If you reset the radio all preset station memories and timer settings will be lost.

To reset the system

- Press the **MODE** button repeatedly to select DAB mode.
- Open the CD tray.
- Press and hold **MENU** on the front panel until the display shows 'Restarting... Factory reset'.

The unit will reset to factory settings, then run a station scan.

When reset is complete a DAB station scan will begin.

NOTE: All presets and alarm times will be erased after a factory reset.

HEADPHONES

There is a headphone output socket on the front panel of the unit. If headphones are connected to this socket for private listening, the speakers will cut out automatically.

To avoid possible damage to your hearing, do not listen to music at high levels through headphones.

TROUBLESHOOTING

Poor quality radio reception

The aerial signal may not be adequate. Try repositioning the aerial while watching the signal strength. Signal strength can be displayed by setting the display mode to display signal strength.

No sound/low volume from AUX source

Check that the volume control is turned up on the AUX source.

CARE AND MAINTENANCE

AFTER USING YOUR SYSTEM

- Set to Standby.
- Switch the unit off at the mains and unplug it if you are leaving it unattended for a long period (holidays etc).

CARE AND CLEANING

All care and cleaning operations should be carried out with the unit unplugged from the mains power.

Occasionally wipe the cabinet with a lint free duster. Never clean the unit with liquids or solvents.

Loudspeaker grilles can be cleaned carefully with a soft brush.

SPECIFICATIONS

SPECIFICATIONS

Supply Voltage 100-240 V ~, 50/60 Hz

Tuning range FM: 87.5-108 MHz

..... DAB: 174-239 MHz

USB file compatibility MP3, WMA

USB drive size up to 32GB

Net Weight 2.6 kg

Frequency range 2.402GHz - 2.480GHz

Max. transmitted power.. 4dBm EIRP



Class II construction double insulated.

This product must not be connected to earth.



WARRANTY

Your Tesco appliance is covered by a warranty for 12 months from the date of purchase. If a fault develops during this period, please contact the TESCO electrical help line. Please have your original purchase receipt with you when you call. This warranty in no way affects your consumer rights.



UK: Waste electrical products /batteries should not be disposed of with household waste. Separate disposal facilities exist, for your nearest facilities. See www.recycle-more.co.uk or in-store for details.

ROI: Produced after 13th August 2005. Waste electrical products/batteries should not be disposed of with household waste. Please recycle where facilities exist. Check with your Local Authority or retailer for recycling advice.





TESCO

Tesco Stores Ltd, Welwyn Garden City AL7 1GA, U.K.

Tesco Helplines:

Landlines 0800 323 4060 (Freephone from a BT landline).

Mobiles 0330 123 4060 (Calls cost no more than calls to geographic numbers eg. 01 or 02 and are included in inclusive minutes and discount schemes).

DMS1701 EN V0.9